



Energy Efficient Direct Incandescent Replacement 9mm Miniature Bayonet UtilityLED™ Lamps



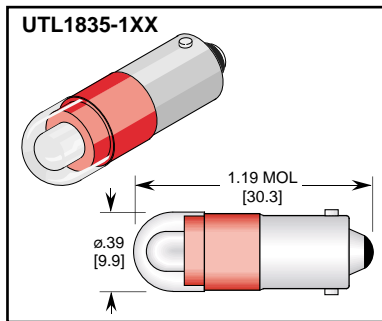
Features

- Replaces Incandescent Lamp #1819, #1835
- Long Life 100,000+ hrs (10 years)
- Solid-State, High Shock/Vibration Resistant
- Maintenance Free, Easy Installation
- Low Power, High Intensity
- Major Power Savings
- Major Reduction in Heat Generation
- Built-in Current Limiting Resistor Including External Resistor

Options

- Special Voltages
- Other Industry Standard Bases
- Choice of Multichips and Multi-LED Clusters

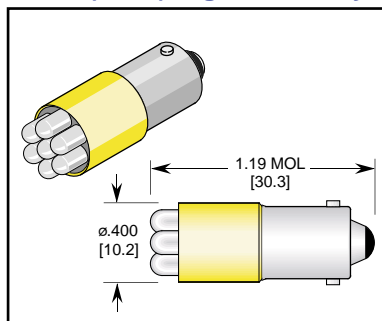
T3-1/4 (9mm) Super Intensity Single Chip Miniature Bayonet



Part Number	Color	Circuit Rating Volts	Circuit Voltage		External Series Resistor OHMs	Incandescent Lamp Number	Incandescent Lamp Voltage Rating
			Min	Max			
UTL1819-0XX	SEE CHART	24VDC	22	28	10	1819	28V
UTL1835-0XX		48VDC	44	56	200	1835	55V
CONSULT FACTORY		70VAC	55	76	750	CONSULT FACTORY	
UTL1835-1XX	SEE CHART	125VDC	110	140	2000	1835	55V
		120VAC	95	130	1900		
		130VAC	105	140	2300		
		240VAC	195	260	4800		
		250VDC	220	280	5100		

Color Code (-0XX)	
UR	RED
UO	ORANGE
UY	YELLOW
IW	INC. WHITE
CW	COOL WHITE
AG	GREEN
UB	BLUE

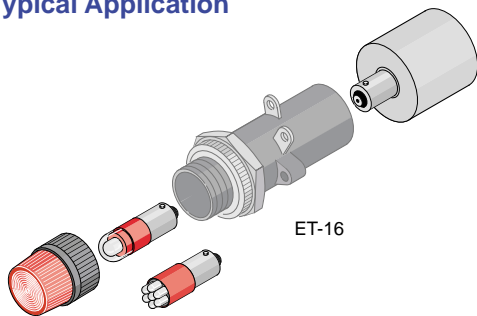
T3-1/4 (9mm) High Efficiency Cluster LED Miniature Bayonet



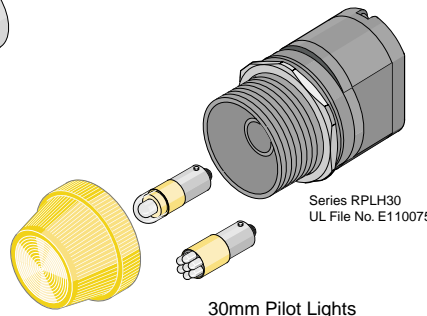
Part Number	Color	Circuit Rating Volts	Circuit Voltage		External Series Resistor OHMs	Incandescent Lamp Number	Incandescent Lamp Voltage Rating
			Min	Max			
BSD-1279-00X	SEE CHART	24VDC	22	28	10	1819	28V
BSD-1011-00X	SEE CHART	48VDC	44	56	200	1835	55V
BSD-1118-00X	SEE CHART	125VDC	110	140	2000	1835	55V
		70VAC	55	76	750		
		120VAC	95	130	1900		
		130VAC	105	140	2300		
		240VAC	195	260	4800		
250VDC	220	280	5100				

Color Code (-0XX)	
001	UL. RED
002	HE. RED
0UO	SP. ORANGE
003	ORANGE
0UY	SP. YELLOW
004	YELLOW
UYG	UL. PALE WHITE
026	PALE WHITE
006	GREEN
008	BLUE

Typical Application

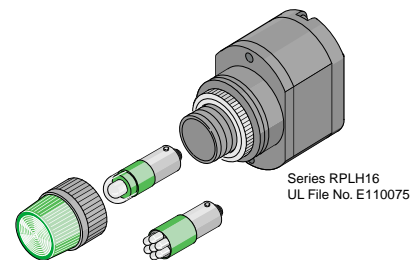


ET-16



30mm Pilot Lights

Series RPLH30
UL File No. E110075



16mm Pilot Lights

Series RPLH16
UL File No. E110075

Log # 032A Rev 03-99

